

**SOPHISTICATED ANALYTICAL INSTRUMENTATION FACILITY
PANJAB UNIVERSITY, CHANDIGARH – 160014**

No.....
Dated.....

Sir,

Please quote your lowest rate in DUPLICATE for the following items along with the detailed information. Your Quotation should reach the undersigned by Registered/ Speed post on or before 02-07-2018

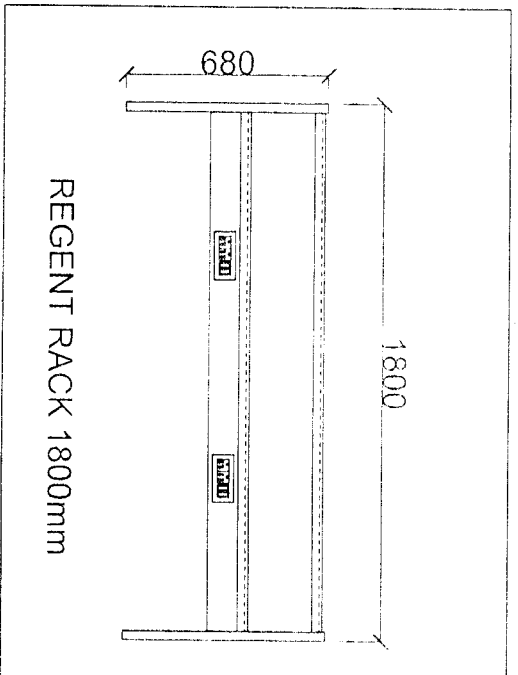
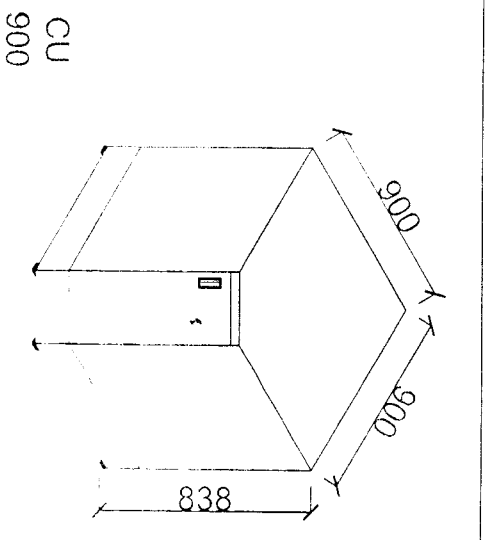
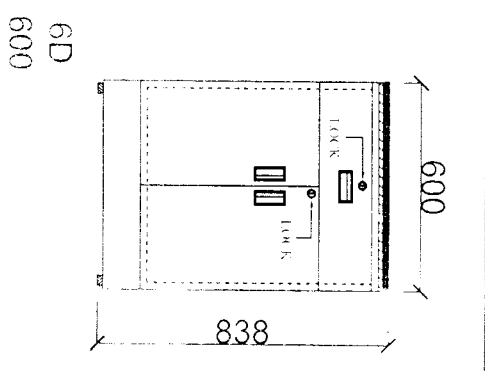
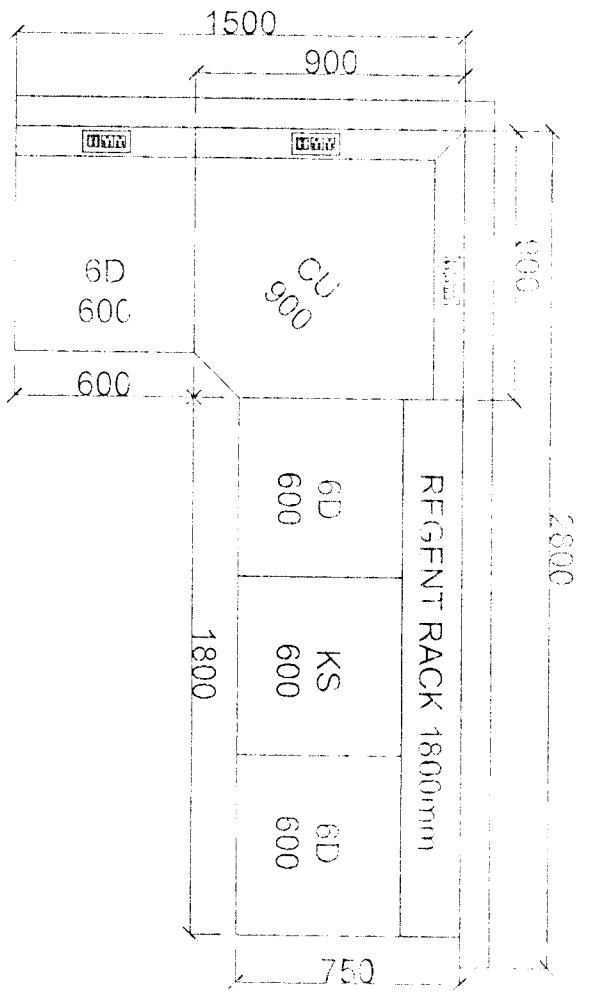
Item:- Modular Workstation for office & Regent Racks (Drawing attached)

The quotation should be typed or written clearly avoiding over-writing.

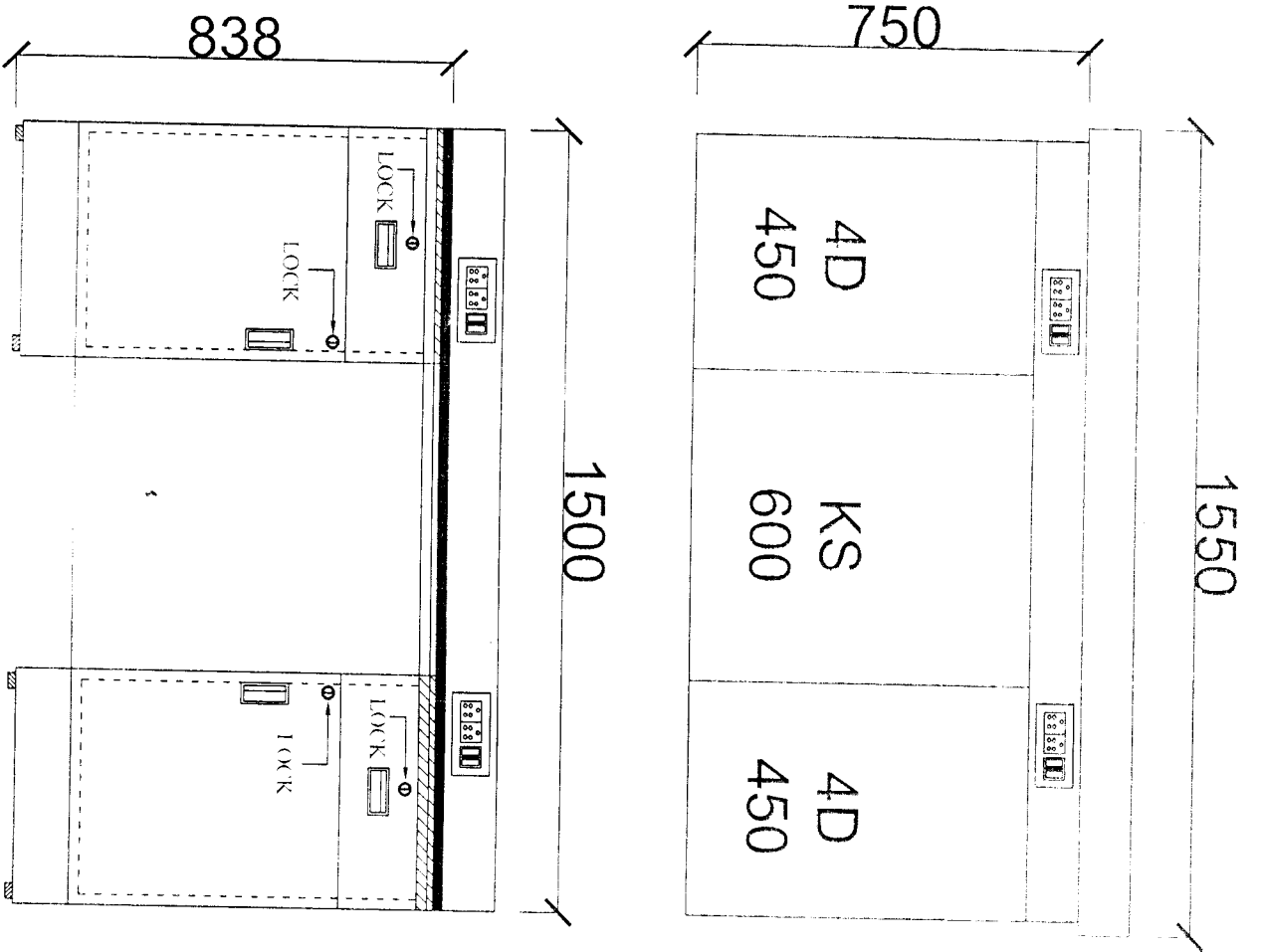
1. The rates quoted should be F.O.R. Chandigarh.
2. The rates of insurance, excise duty, sales tax should be mentioned clearly.
Original receipts for insurance charges are required along with the bill of payment.
3. SPECIAL DISCOUNT for educational institutions/Universities teaching department may be mentioned.
4. The quotation giving our reference number and due date of quotation should be sent in a sealed cover by Registered/ Speed post in two **technical and financial bids separately along with 2% EMD of the total cost**, otherwise, it will not be possible for us to consider your quotation.
5. No advance payment will be made. Bill/s will be passed for payment by the university office after verification of the material and work done.

Yours sincerely,

Director



Item No.	QTY	Description
1	1	REGENT RACK 1800mm
2	1	CABINET 1800mm x 900mm x 900mm
3	1	DOOR 600mm x 838mm
4	1	6D 600mm
5	1	CU 900mm
6	1	KS 600mm
7	1	6D 600mm
8	1	6D 600mm



Scale	1:1	Sheet No.	1 of 10
Drawn By	SHAN	Date	04/01/2018
Checked By	S. Kotha	Project Name	MORTELAR TABLET
Approved By	S. Kotha	Client Name	MR. NAGARAJAN
			BY NAGARAJAN

VARRAR INTERNATIONAL Pvt. Ltd.
 H-0501, 1st Floor, 1st Cross Street,
 Madhavaram, Chennai - 600031, India

